

38279-MI

12V SG3525 plus LM358 Driver Board

The SG3525A, pulse width modulator control circuit feature improved performance and lower external parts count and totum-pole outputs. When a LM385 Op-Amp and a opto-coupler is added, the combo provides a driver module suitable for driving FET transistors, and provides isolated (Opto-coupled) input for low level sensors to control the output.

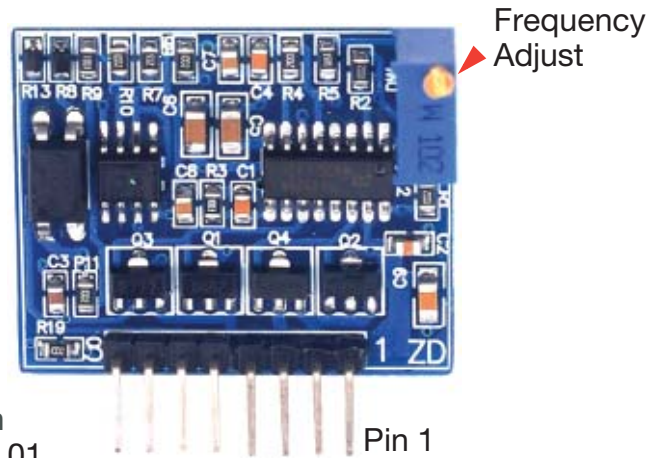
Power: 8-12VDC

Output Drive: 1A (up to 20 3205 Transistors)

Adjustable Frequency: 20-35 kHz

Connections: 8Pin Right Angle Header Pins. 0.1" Pitch

L: 35mm (1-5/16") **W:** 25mm (1") **H:** 16mm (1/2") **WT:** 01



SG3525 DATASHEET LINK: <https://www.mpja.com/download/sg3525a-datasheet.pdf>

- Pin 1 - Input Power + (12-24V)
- Pin 2 - Drive Output 1
- Pin 3 - Input Power - Ground
- Pin 4 - Drive Output 2
- Pin 5 - Opto-coupler LED Anode (+)
- Pin 6 - Opto-coupler LED Cathode (-)
- Pin 7 - Direct Logic Level Shutdown (.5/5.5V)
- Pin 8 - Feedback Input

Information including Drawings, Schematics, Links and Code (Software) Supplied or Referenced in this Document is supplied by MPJA inc. as a service to our customers and accuracy or usefulness is not guaranteed nor is it an Endorsement of any particular part, supplier or manufacturer. Use of information and suitability for any application is at users own discretion and user assumes all risk.

Information Subject to Change Without Notice
All rights are retained by the respective Owners/Author(s)



MARLIN P. JONES & ASSOC., INC.

8380 Resource Rd. West Palm Beach, FL 33404
800-652-6733 FAX 561-844-8764
WWW.MPJA.COM

38279-MI

12V SG3525 plus LM358 Driver Board

Shutdown (Isolated)

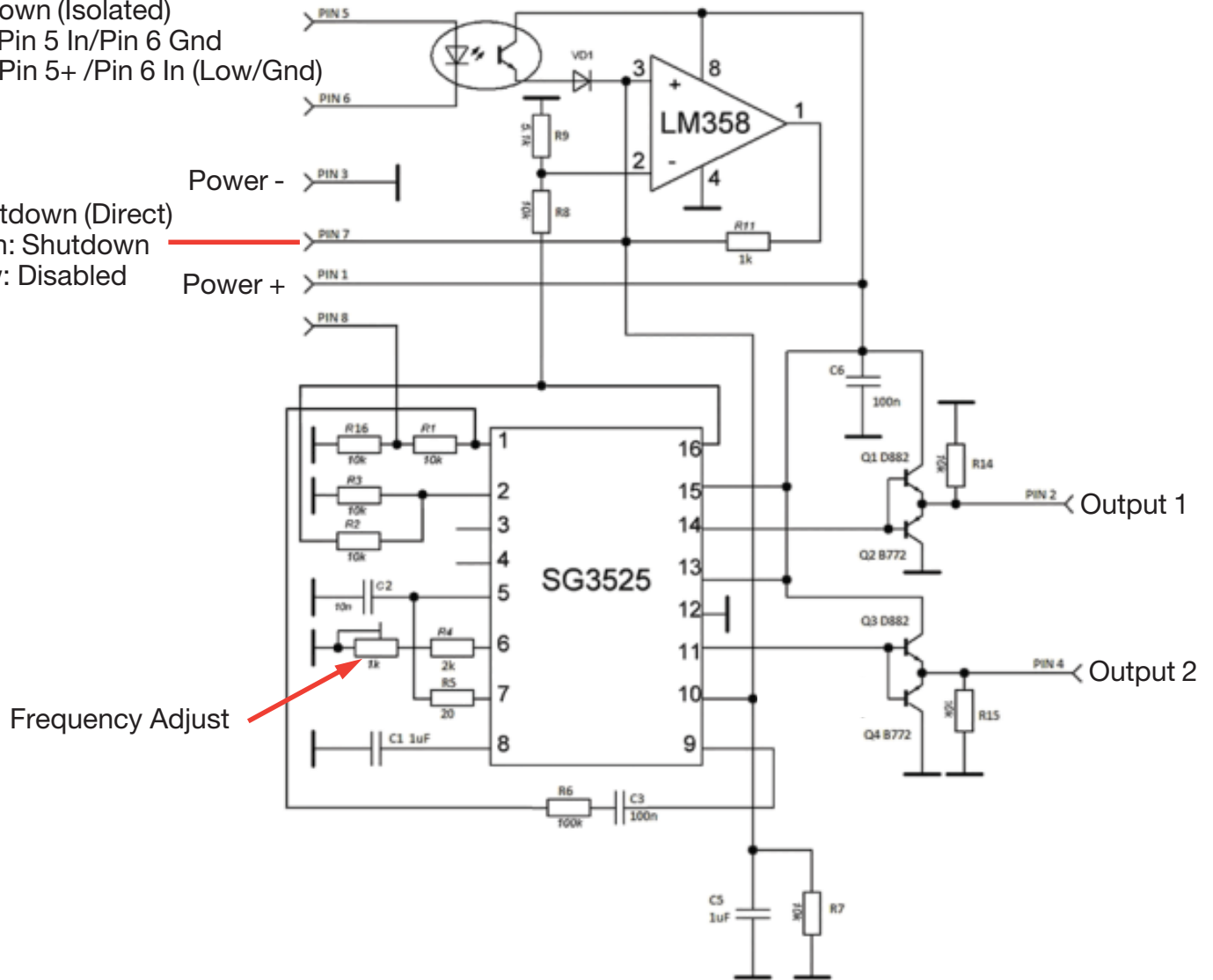
High: Pin 5 In/Pin 6 Gnd

Low: Pin 5+ /Pin 6 In (Low/Gnd)

Shutdown (Direct)

High: Shutdown

Low: Disabled



Information including Drawings, Schematics, Links and Code (Software) Supplied or Referenced in this Document is supplied by MPJA inc. as a service to our customers and accuracy or usefulness is not guaranteed nor is it an Endorsement of any particular part, supplier or manufacturer. Use of information and suitability for any application is at users own discretion and user assumes all risk.

Information Subject to Change Without Notice

All rights are retained by the respective Owners/Author(s)



MARLIN P. JONES & ASSOC., INC.

8380 Resource Rd. West Palm Beach, FL 33404

800-652-6733 FAX 561-844-8764

WWW.MPJA.COM